



압출 리본 케이블 Flat Ribbon Type Cable

제품의 용도

- 오디오, 비디오의 내부 배선용

Application of Product

- Internal wiring of Audio, Video equipment

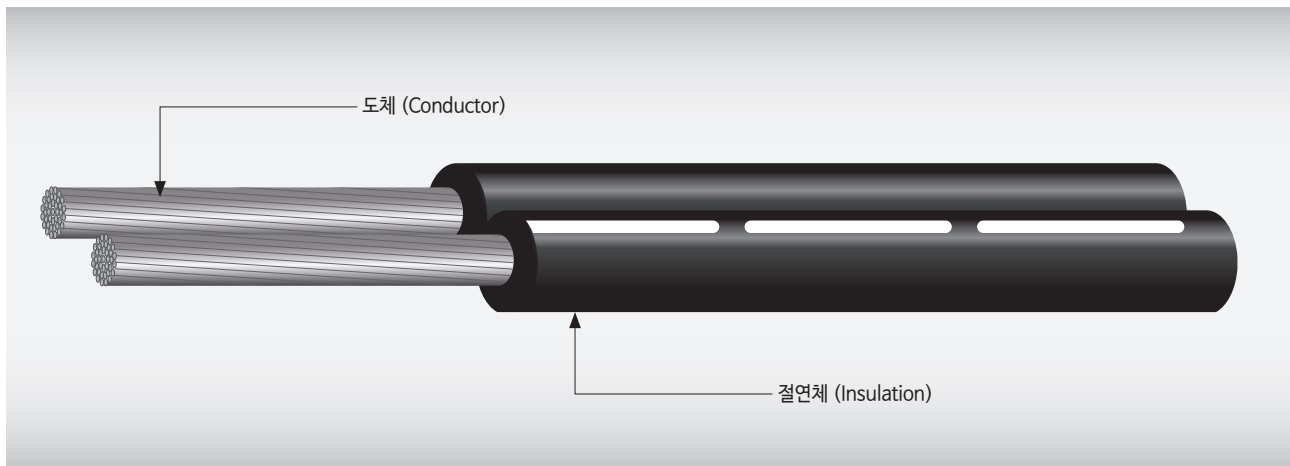
제품의 특성

- 정격 : 300V, 80°C
- 난연성 : VW-1 만족함
- 적용규격 : UL Subject 758, 1581
- 제품인증 : Underwriters Laboratories Inc. (R)

Characteristics of Product

- Rating : 300V, 80°C
- Flammability : VW-1 Satisfaction
- Standard : UL Subject 758, 1581
- Certification : Underwriters Laboratories Inc.(R)

구조 및 구성 (Construction & Formation)



표면인쇄 (Surface Marking of Product)

E150633 AWM 2468 80°C 300V VW-1 2C x 24AWG KWANGIL RoHS

Conductor			Insulation		Tape Material	Braid Shield		Sheath	
AWG Size	No. of Core	Composition (No./mm)	Material	Thickness (mm)		Material	Coverage (%)	Material	Thickness (mm)
28	2~50	7/0.127	Heat Resistance PVC	0.42	AL Tape	Tinned Annealed Copper (TA)	Min. 70	PVC	1.00
26		7/0.16							
24		11/0.16							
22		17/0.16							
20		21/0.18							
18		34/0.18							
16	54/0.18								
28	2~50	7/0.127	Semi-Rigid PVC	0.25	AL Tape	inned Annealed Copper (TA)	Min. 70	PVC	1.00
26		7/0.16							
24		11/0.16							
22		17/0.16							
20		21/0.18							
18		34/0.18							
16	54/0.18								